

## ACCURACY

\*\* Accuracy:  $\pm(0.015\%$  of reading\*),  $\pm(0.025\%$  of reading\*), or  $\pm(0.05\%$  of reading)

Repeatability:  $\pm 0.005\%$  of reading

Temperature Coefficient:  $\pm 0.00167\%$  of rdg / °C outside of 23°C

\* Down to 10 inH<sub>2</sub>O.

$\pm(0.05\%$  of reading) below 10 inH<sub>2</sub>O

\*\* See ordering information for details.

## WEIGHT MASSES

Pressure Range: **0.145 to 300 psi / 1 to 2000 kPa**

Gravity: **9.80655 m/s<sup>2</sup> (Int'l standard)**  
**Local Gravity (Specify)**

Water Column Reference: **20°C (ISA standard)**  
**60°F (AGA standard, specify when ordering)**

Available Units: **psi, kg/cm<sup>2</sup>, bar, kPa, inH<sub>2</sub>O, cmH<sub>2</sub>O, and inHg**

## PRESSURE SOURCE

Source: **Nitrogen or instrument /shop air** ♦

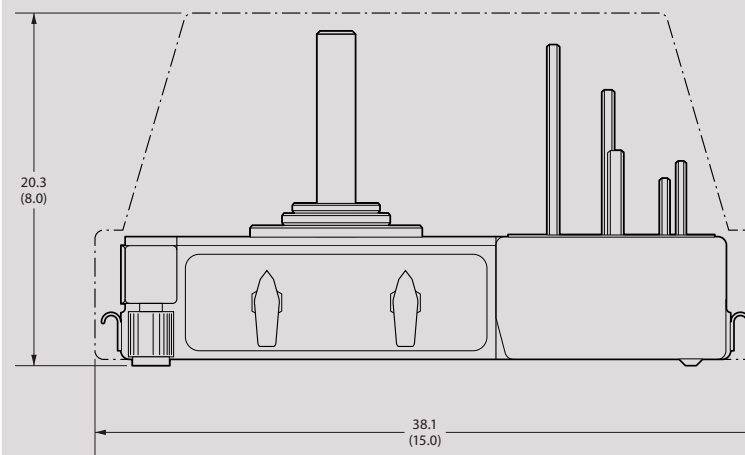
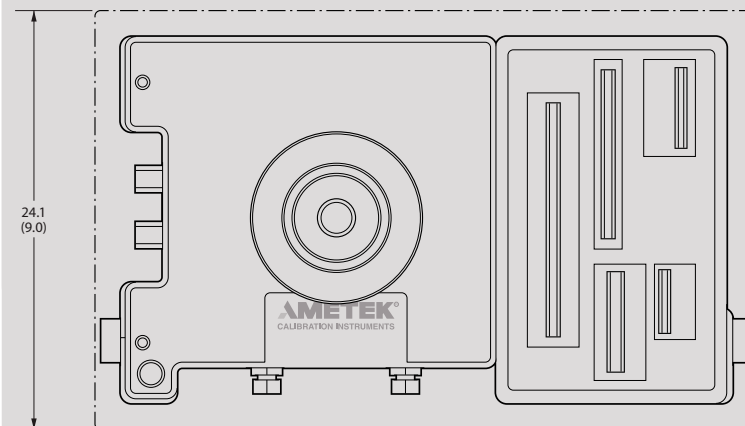
Maximum Supply Pressure: **450 psi / 3100 kPa**

Minimum Supply Pressure: **30 psi / 210 kPa** ♦♦

Flow Rate: **1 scfh at 0.15 psi / 28 slh at 1 kPa output**  
**60 scfh at 300 psi / 1700 slh at 2000 kPa output**

♦ ISA quality standard 7.3.

♦♦ Or 150% of desired output pressure.



ALL DIMENSIONS IN CM (IN)

Tester Enclosure

## ENCLOSURES

Tester Dimensions (L x W x H): **15 x 9 x 8 in (38.1 x 24.1 x 20.3 cm)**

Tester Weight: **18 to 31.5 lb (8.2 to 14.3 kg)**

Weights Case Dimensions (L x W x H): **12 x 8.5 x 11.5 in (30.5 x 21.6 x 29.2 cm)**

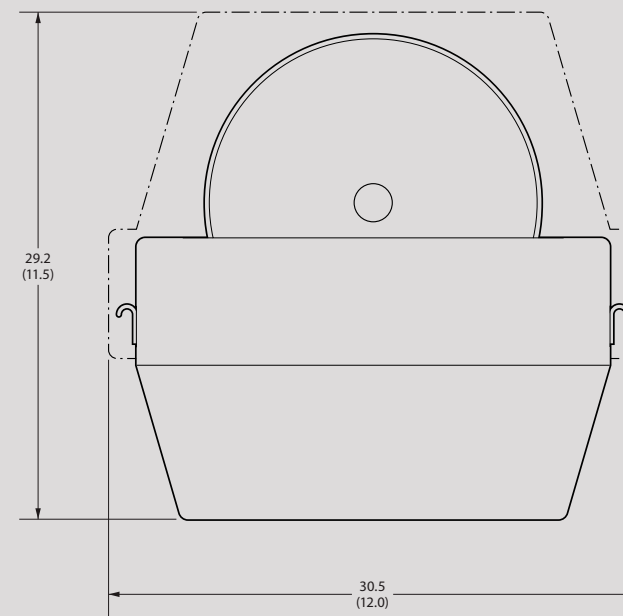
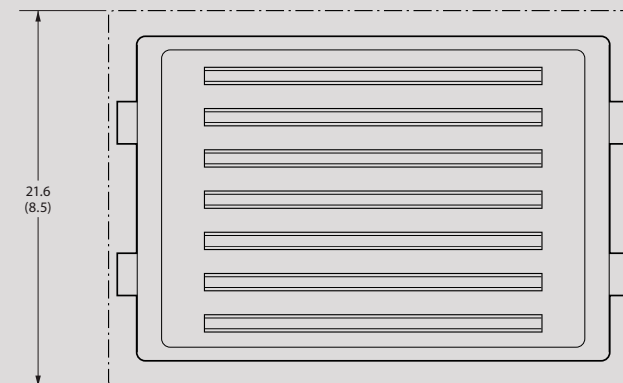
Masses: **17.5 to 61.5 lb (8 to 30 kg)**

## MATERIAL AND CONNECTION

Weight Masses: **Stainless Steel (as standard)**  
**Aluminum (optional small incremental weights)**

Ball: **Ceramic**

Connection: **1/8" Female NPT**



ALL DIMENSIONS IN CM (IN)

Weights Enclosure

## MODELS, SPECIFICATIONS, AND OPTIONS

Model	Certified Range	Increment	Weight Carrier and Ball Output
RK-50	1 to 51 psi	1 psi	1 psi
RK-100	1 to 101 psi	1 psi	1 psi
RK-200	1 to 201 psi	1 psi	1 psi
RK-300	1 to 301 psi	1 psi	1 psi
RK-4M	0.01 to 4 kg/cm <sup>2</sup>	0.01 kg/cm <sup>2</sup>	0.01 kg/cm <sup>2</sup>
RK-8M	0.01 to 8 kg/cm <sup>2</sup>	0.01 kg/cm <sup>2</sup>	0.01 and 0.02 kg/cm <sup>2</sup>
RK-20M	0.01 to 20 kg/cm <sup>2</sup>	0.01 kg/cm <sup>2</sup>	0.01 and 0.02 kg/cm <sup>2</sup>
RK-2B	0.01 to 2 bar	0.01 bar	0.01 bar
RK-4B	0.01 to 4 bar	0.01 bar	0.01 bar
RK-8B	0.01 to 8 bar	0.01 bar	0.01 and 0.02 bar
RK-12B	0.01 to 12 bar	0.01 bar	0.01 and 0.02 bar
RK-20B	0.01 to 20 bar	0.01 bar	0.01 and 0.02 bar
RK-200N	1 to 211 kPa	1 kPa	1 kPa
RK-400N	1 to 411 kPa	1 kPa	1 kPa
RK-800N	1 to 811 kPa	1 kPa	1 and 2 kPa
RK-1200N	1 to 1211 kPa	1 kPa	1 and 2 kPa
RK-2000N	1 to 2011 kPa	1 kPa	1 and 2 kPa
RK-100WC	4 to 104 inH <sub>2</sub> O	1 inH <sub>2</sub> O	4 inH <sub>2</sub> O
RK-300WC	4 to 314 inH <sub>2</sub> O	1 inH <sub>2</sub> O	4 inH <sub>2</sub> O
RK-600WC	4 to 614 inH <sub>2</sub> O	1 inH <sub>2</sub> O	4 inH <sub>2</sub> O
RK-110WC	4 to 1114 inH <sub>2</sub> O	1 inH <sub>2</sub> O	4 inH <sub>2</sub> O
RK-1600WC	4 to 1614 inH <sub>2</sub> O	1 inH <sub>2</sub> O	4 inH <sub>2</sub> O
RK-500CM	10 to 510 cmH <sub>2</sub> O	10 cmH <sub>2</sub> O	10 cmH <sub>2</sub> O
RK-1000CM	10 to 1010 cmH <sub>2</sub> O	10 cmH <sub>2</sub> O	10 cmH <sub>2</sub> O
RK-2000CM	10 to 2010 cmH <sub>2</sub> O	10 cmH <sub>2</sub> O	10 cmH <sub>2</sub> O
RK-3000CM	10 to 3010 cmH <sub>2</sub> O	10 cmH <sub>2</sub> O	10 cmH <sub>2</sub> O
RK-4000CM	10 to 4010 cmH <sub>2</sub> O	10 cmH <sub>2</sub> O	10 cmH <sub>2</sub> O
RK-100H	1 to 112 inHg	0.1 inHg	1 inHg

### ► Calibration and Accuracy Options

(specify standard or local gravity)

Suffix	Accuracy	Data
(omit)	± (0.05% of reading)	○
/C	± (0.05% of reading)	●
-1B	± (0.025% of reading)	○
-1B/C	± (0.025% of reading)	●
-1A	± (0.015% of reading)	○
-1A/C	± (0.015% of reading)	●

○ Standard traceable certificate.

● Includes effective area, nominal pressure, and actual pressure data.

## ORDERING INFORMATION

### ► Sample Part Numbers

**RK-300** ...

0.05 % of reading, 1 to 301 psi range.

**RK-20B** - /C ...

0.05 % of reading, 0.01 to 20 bar range, with test data.

**RK-300WC** - 1A/C ...

0.015 % of reading, 4 to 314 inH<sub>2</sub>O range, with test data.

## STANDARD DELIVERY

- Tester base with case
- Weight Set
- Manual
- NIST Traceable Certificate

## ACCESSORIES

**Gauge Pointer Puller Set** P/N **1GT-99**

**Tripod** P/N **K-1562**

**Adapter to CPF Fitting Line** P/N **MPF-1/8MPT**

**CPF Hose** P/N **MPH-1** 1 meter hose

(additional sizes and custom lengths available)

**Small Incremental Weights** in psi, bar, kPa, kg/cm<sup>2</sup>, inH<sub>2</sub>O, and cmH<sub>2</sub>O

**RWS-.1WC** Aluminum weight set, converts 1 inH<sub>2</sub>O units to 0.1 inH<sub>2</sub>O increments

**RWS-.1** Aluminum weight set, converts 1 psi units to 0.1 psi increments

**RWS-.1KPA** Aluminum weight set, converts 1 kPa units to 0.1 kPa increments

**RWS-.1CM** Aluminum weight set, converts 10 cmH<sub>2</sub>O units to 1 cmH<sub>2</sub>O increments

**RWS-.001B** Aluminum weight set, converts 0.01 bar units to 0.001 bar increments

**RWS-.001M** Aluminum weight set, converts 0.1 kg/cm<sup>2</sup> units to 0.001 kg/cm<sup>2</sup> increments

## COMPLEMENTARY PRODUCTS

AMETEK offers a wide range of products that work with the RK:

- [Fittings that connect without tools, safely and without leaks](#)
- [Lightweight, super flexible high pressure hoses](#)
- [Digital Test Gauge](#)
- [Reference Recorder](#)
- [Pressure Calibrator](#)